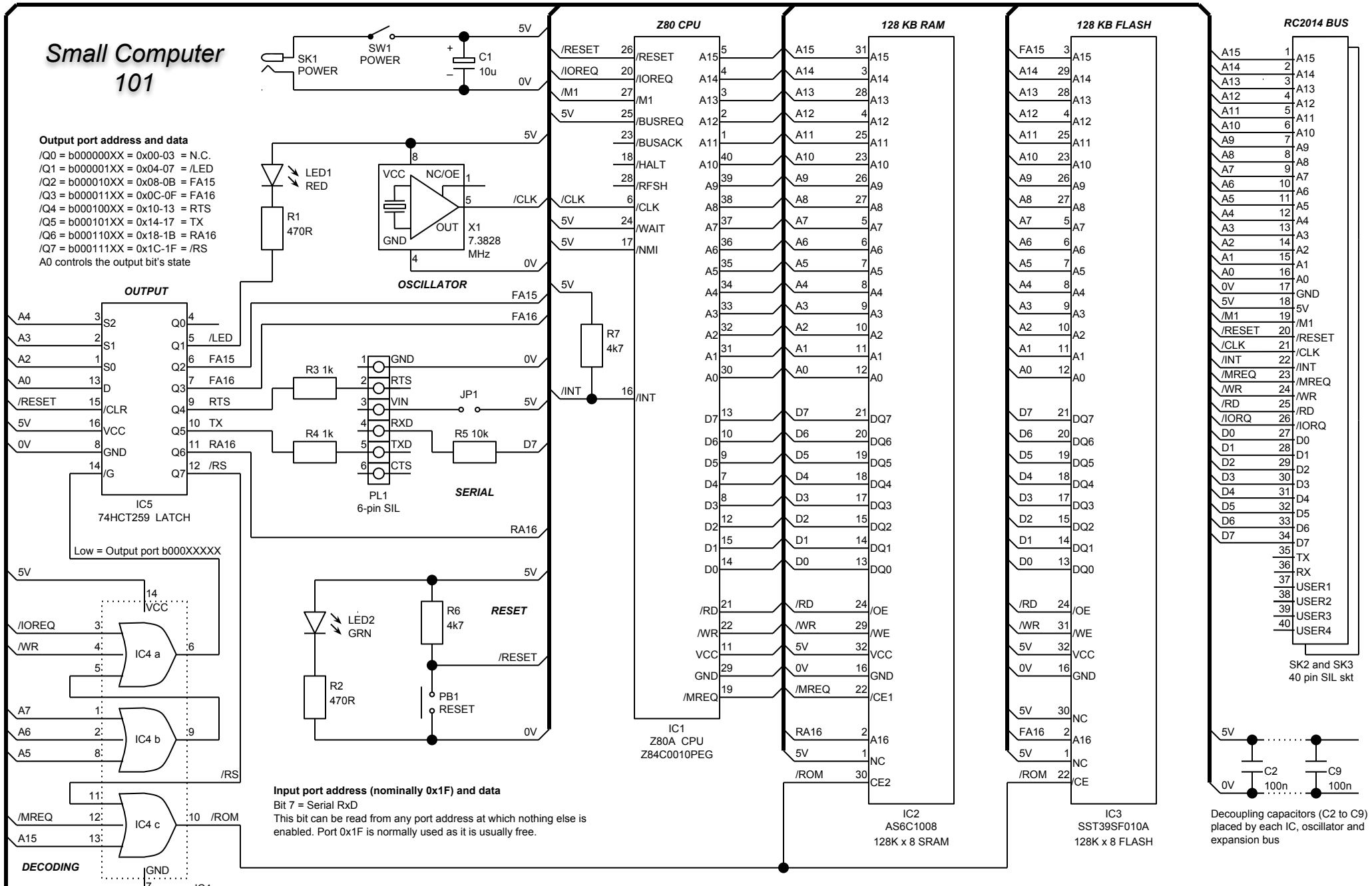


Small Computer 101

Output port address and data

/Q0 = b000000XX = 0x00-03 = N.C.
 /Q1 = b000001XX = 0x04-07 = /LED
 /Q2 = b000010XX = 0x08-0B = FA15
 /Q3 = b000011XX = 0x0C-0F = FA16
 /Q4 = b000100XX = 0x10-13 = RTS
 /Q5 = b000101XX = 0x14-17 = TX
 /Q6 = b000110XX = 0x18-1B = RA16
 /Q7 = b000111XX = 0x1C-1F = /RS
 A0 controls the output bit's state



Input port address (nominally 0x1F) and data
 Bit 7 = Serial Rx/D
 This bit can be read from any port address at which nothing else is enabled. Port 0x1F is normally used as it is usually free.

Memory map
 Output bits FA15, FA16, RA16 and /RS control memory paging. A full 64K of RAM is mapped when /ROM is high.

Decoupling capacitors (C2 to C9) placed by each IC, oscillator and expansion bus